

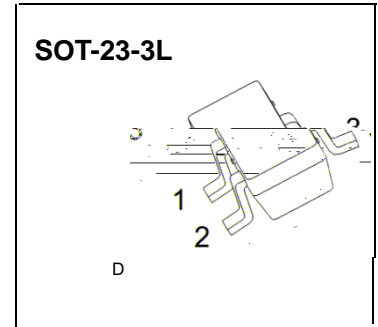


JIANGSU CHANGJIANG ELECTRONICS TECHNOLOGY CO., LTD

SOT-23-3L Plastic-Encapsulate MOSFETS

CJK3415

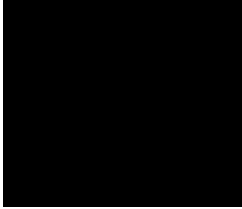
$V_{(BR)DSS}$	$R_{DS(on)MAX}$	I_D
-20V	50mΩ@-4.5V	-4.0A
	60mΩ@-2.5V	
	73mΩ@-1.8V	



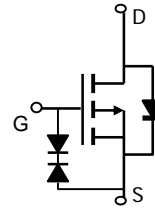
FEATURE

APPLICATIONS

MARKING: R15

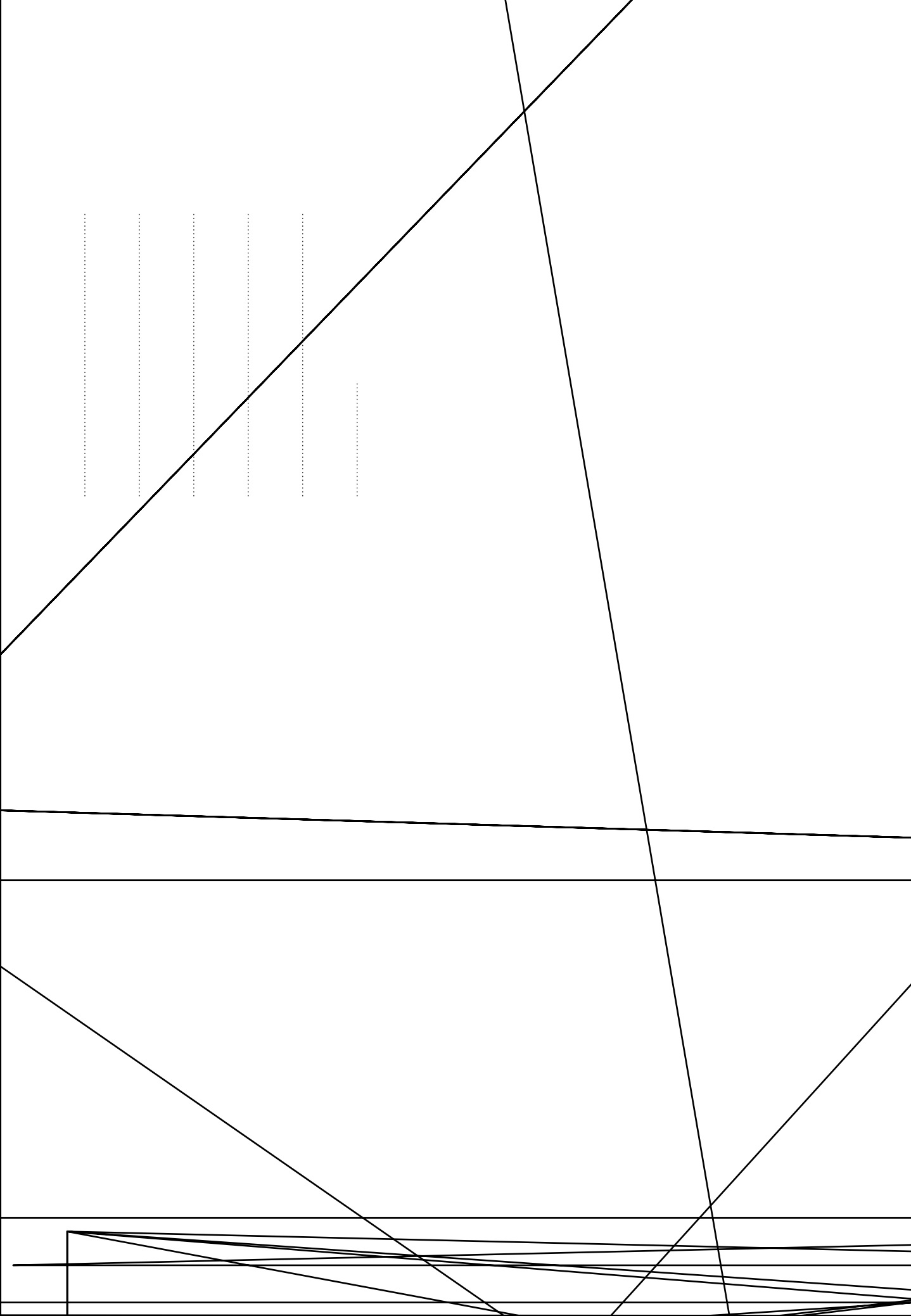


Equivalent Circuit



Maximum ratings ($T_a=25$ unless otherwise noted)

Parameter	Symbol	Value	Unit
\leq			
\leq		0	
	θ	417	



NOTICE

JCET reserve the right to make modifications,enhancements,improvements,corrections or other change

