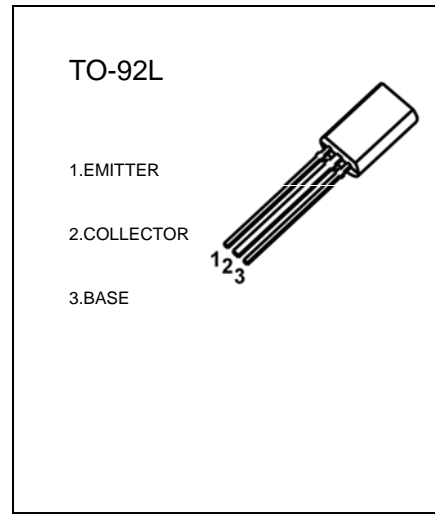




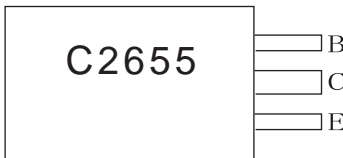
2SC2655 TRANSISTOR (NPN)

FEATURES

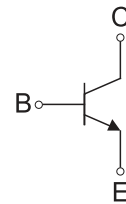
- Low saturation voltage: $V_{CE(sat)}=0.5V(\text{Max})(I_C=1A)$
- High speed switching time: $t_{stg}=1 \text{ s}(\text{Typ.})$
- Complementary to 2SA1020



Equivalent Circuit



& ,! - .
 6 R 0 1 6 Green molding compound device,
 if none, the normal device
 ///, .



ORDERING INFORMATION

Part Number	Package	Packing Method	Pack Quantity
6 &	7 2 /	% X O N	500pcs/Bag
6 & 7 \$	7 2 /	7 D S H	2000pcs/Box

MAXIMUM RATINGS ($T_a=25 /$ unless otherwise noted)

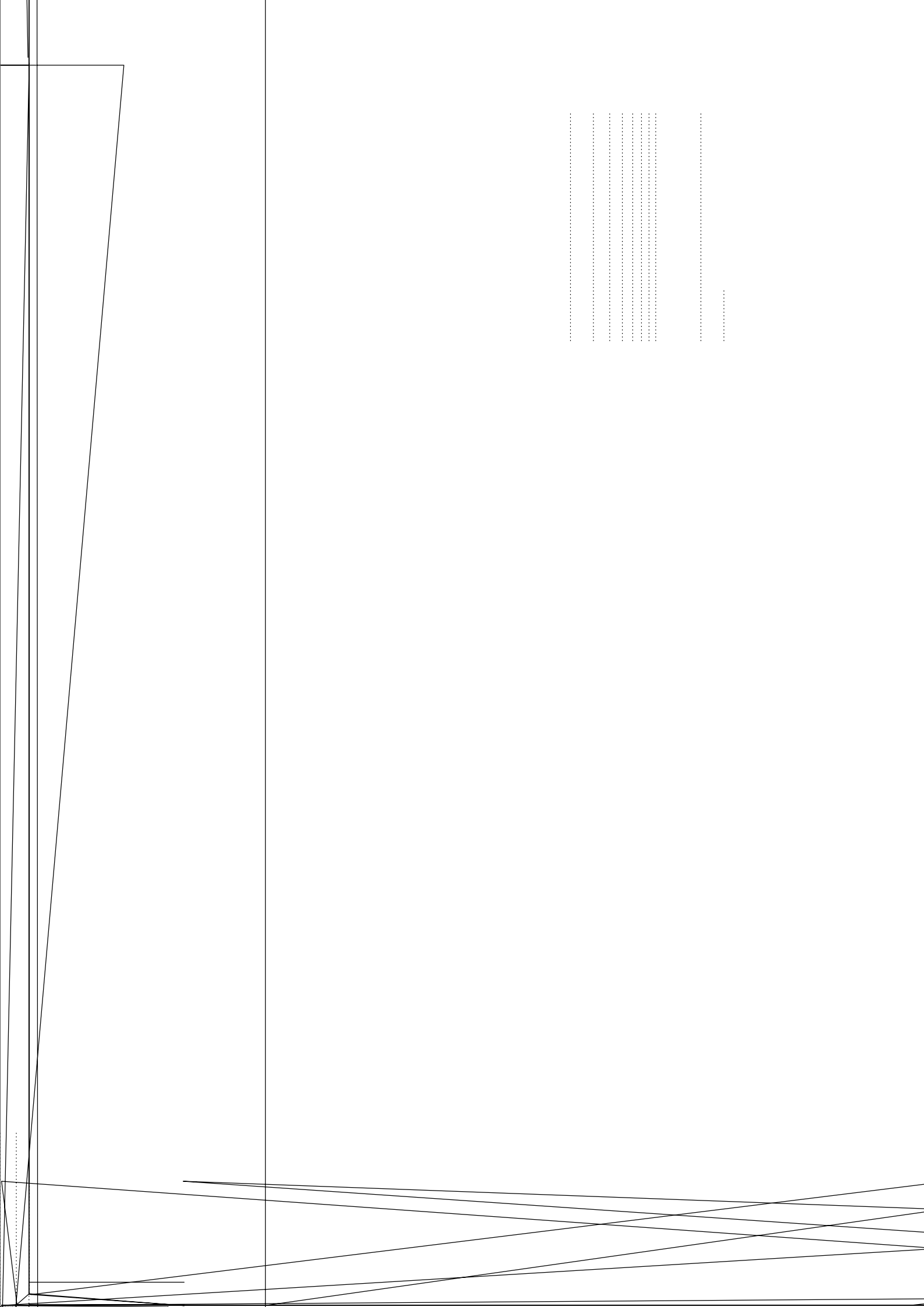
Symbol	Parameter	Symbol	Unit
V_{CBO}	Collector-Base Voltage	50	V
V_{CEO}	Collector-Emitter Voltage	50	V
V_{EBO}	Emitter-Base Voltage	5	V
I_C	Collector Current –Continuous	2	A
P_C	Collector Power Dissipation	0.9	W
7. t_{stg}	2 S H U D W L R Q - X Q F W L R Q D Q G 6 W R U D J H - 5 1 1 5 6 H U D W X U H 5 D Q J H		

$T_a=25^\circ\text{C}$ unless otherwise specified

Parameter	Symbol	Test conditions	M	T		U
Collector-base breakdown voltage	$V_{(BR)CBO}$	$I_C=100\text{ A}, I_E=0$	50			V
Collector-emitter breakdown voltage	$V_{(BR)CEO}$	$I_C=10\text{mA}, I_B=0$	50			V
Emitter-base breakdown voltage	$V_{(BR)EBO}$	$I_E=100\text{ A}, I_C=0$	5			V
Collector cut-off current	I_{CBO}	$V_{CB}=50\text{V}, I_E=0$			1	A
Emitter cut-off current	I_{EBO}	$V_{EB}=5\text{V}, I_C=0$			1	A
DC current gain	$h_{FE(1)}$	$V_{CE}=2\text{V}, I_C=500\text{mA}$	70		240	
	$h_{FE(2)}$	$V_{CE}=2\text{V}, I_C=1.5\text{A}$	40			
Collector-emitter saturation voltage	$V_{CE(sat)}$	$I_C=1\text{A}, I_B=0.05\text{A}$			0.5	V
Base-emitter saturation voltage	$V_{BE(sat)}$	$I_C=1\text{A}, I_B=0.05\text{A}$			1.2	V
Transition frequency	f_T	$V_{CE}=2\text{V}, I_C=0.5\text{A}$		100		MHz
Collector output capacitance	C_{ob}	$V_{CB}=10\text{V}, I_E=0, f=1\text{MHz}$		30		pF
Switch time	Tune on Time	t_{on}	$V_{CC}=30\text{V}, I_C=1\text{A},$ $I_{B1}=-I_{B2}=0.05\text{A}$		0.1	s
	Storage Time	t_{stg}				
	Fall Time	t_f			0.1	

CLASSIFICATION OF $h_{FE(1)}$

Rank	O	Y
Range	70-140	120-240

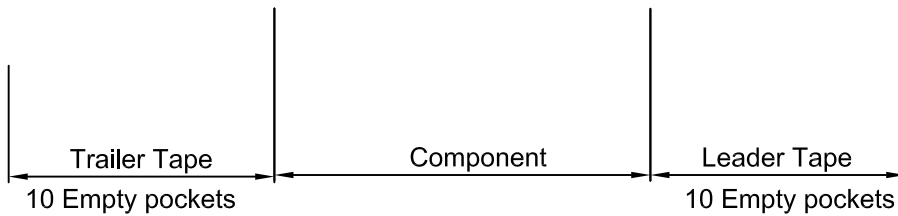
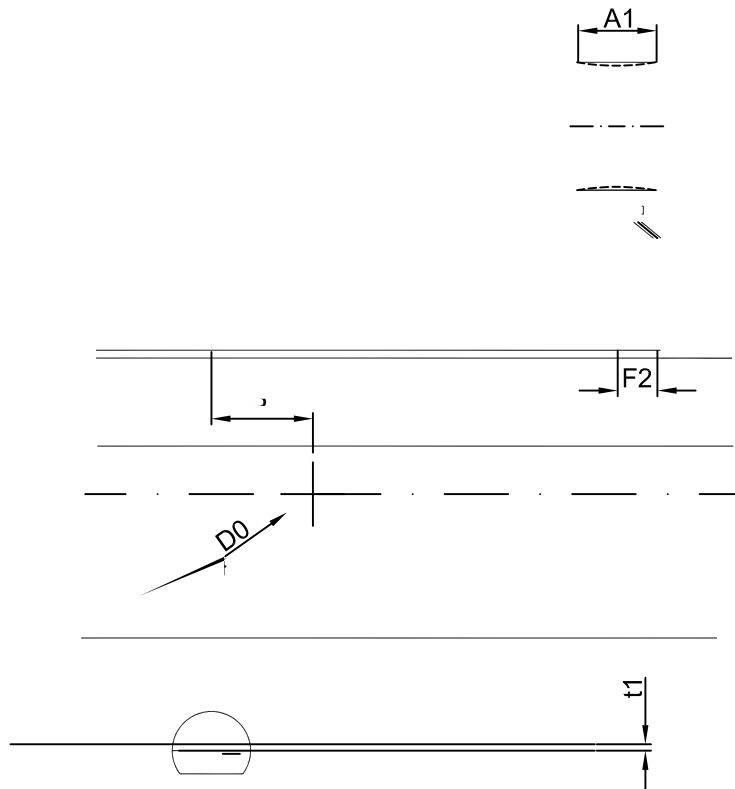


TO-92L Package Outline Dimensions

TO-92L Suggested Pad Layout

Note:

1. Controlling dimension: in millimeters.
2. General tolerance: ± 0.05 mm



Package	Box	Box Size(mm)	Carton	Carton Size(mm)
TO-92L	2000 pcs	333×203×42	20,000 pcs	493×400×264